



Solvent Saver™ Hose & Gun Cleaner

Order No.
180037
Model No.
HD-503



Solvent Saver™ Hose & Gun Cleaner

Order No.	Capacity	Regulation	3/4" H.P. Direct Drive Air Driven Agitation Included	Ship Weight
180037 HD-503	2-qt.	N/A	N/A	

A Real Time Saver

Cleans fluid hoses quickly without wasting solvent

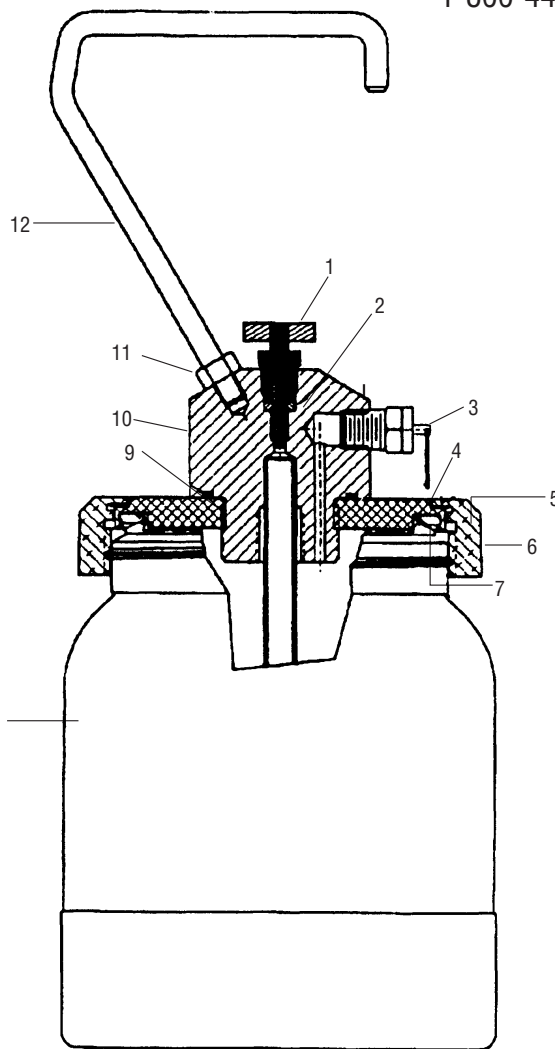
Refer to Service Bulletin: SB-14-052

Customer Service
1-800-445-3988

Solvent Saver™ Hose & Gun Cleaner

180037 (HD-503)

Ref. No.	Order No.	Model No.	Description	Ind. Parts Req.
1	—	—	Needle Valve Assembly	1
2	—	—	Needle Valve Gasket (Kit of 2)	1
3	190582	TIA-4355	Safety Valve	1
4	—	—	Lid	1
5	190577	KB-81-K5	Ring Gasket (Kit of 5)	1
6	190573	KB-64	Retaining Ring	1
7	190576	KB-80-K5	Gasket Kit (Kit of 5)	1
8	190578	KB-422	Cup (2 quart)	1
9	191882	SSG-8184-K2	O-Ring Kit (Kit of 2)	1
10	—	—	Hub Assembly	1
*11	Purchase locally		Nut (5/16-18)	1
12	190575	KB-74	Handle	1



OPTIONAL:

KK-5052 ADAPTER FITTING & HOSE KIT
Allows flushing of cup tube, hose and gun using SolventSaver™. Kit includes: adapter fitting and 2' hose assembly.

